

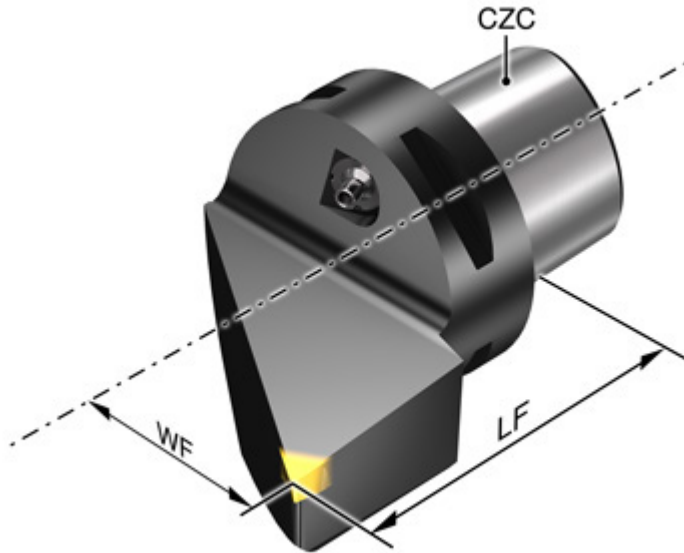
Tailor Made

- Quick quotation
- Easy to order
- Competitive delivery

Even more possibilities thanks to tailored design!

If you do not find what you need in our comprehensive standard programme, choose the tool shape you require and we will tailor it for you to *your* dimensions.

**CoroTurn® 300 external
Coromant Capto® toolholders**



For neutral position of cutting edge:
Functional length LF *)

CZC	LF *)
C4	65 - 110 (2.559 - 4.331)
C5	65 - 130 (2.559 - 5.118)
C6	65 - 150 (2.559 - 5.906)
C8	85 - 180 (3.346 - 7.087)

For right or left position of cutting edge:
Functional width WF and length LF *)

CZC	WF *)	LF *)
C4	25 - 32 (0.984 - 1.260)	55 - 65 (2.165 - 2.559)
C5	30 - 40 (1.181 - 1.575)	60 - 75 (2.362 - 2.953)
C6	36.5 - 50 (1.437 - 1.969)	65 - 80 (2.559 - 3.150)
C8	45 - 60 (1.772 - 2.362)	80 - 90 (3.150 - 3.543)

Options

Note! For specific details regarding the options, contact your Sandvik Coromant sales representative.

Unit of Measurement	Metric or Inch
Connection type	Coromant Capto
Connection size CZC	C4, C5, C6, C8
Insert	3-80-10
Position of cutting edge	Right, Left or Neutral
Main feed direction	Both, Side, End
Entering angle KAPR	90° - 95°
Lead angle PSIR	-5° - 0°

Internal Coolant	Both, Lower, Upper, None
Data chip provision	Yes, No
Functional width WF	Depending on size *)
Functional length LF	Depending on size *)
Customer denomination	Max 18 digits





CoroTurn® 300 external Coromant Capto® toolholders

Inquiry/ordering No.

Customer	Customer No. (Coromant internal)	Date
Street	Telephone	Customer attention
Post Code/City/State		Issuer
Quantity		

Your value/
Your choice

State only your options deviating from the above standard

Unit of Measurement	Metric or Inch	<input style="width: 80%; height: 20px;" type="text"/>
Connection type	Coromant Capto	<input style="width: 80%; height: 20px; border: 1px solid black;" type="text" value="Coromant Capto"/>
Connection size CZC	C4, C5, C6, C8	<input style="width: 80%; height: 20px;" type="text"/>
Insert	3-80-10	<input style="width: 80%; height: 20px; border: 1px solid black;" type="text" value="3-80-10"/>
Position of cutting edge	Right, Left or Neutral	<input style="width: 80%; height: 20px;" type="text"/>
Main feed direction	Both, Side, End	<input style="width: 80%; height: 20px;" type="text"/>
Entering angle KAPR**	90° - 95°	<input style="width: 80%; height: 20px;" type="text"/>
Lead angle PSIR**	-5° - 0°	<input style="width: 80%; height: 20px;" type="text"/>
Internal coolant	Both, Lower, Upper, None	<input style="width: 80%; height: 20px;" type="text"/>
Data chip provision	Yes, No	<input style="width: 80%; height: 20px;" type="text"/>
Functional width WF**	Depending on size ¹⁾ See diagram on previous page	<input style="width: 80%; height: 20px;" type="text"/>
Functional length LF	Depending on size ¹⁾ See diagram on previous page	<input style="width: 80%; height: 20px;" type="text"/>
Customer denomination	Max 18 digits	<input style="width: 80%; height: 20px;" type="text"/>

**** For neutral position of cutting edge:**
 -WF is not optional, it's always close to 0.
 -KAPR is not optional, it's always 49.7 (PSIR=40.3)

Form No. C-1250:025-ENG
Family code = T560
CoroPak 16.1 16.03.01 Revised 16.10.01



The value/choice must be given
 If no value/choice is specified, it will be recommended by the system

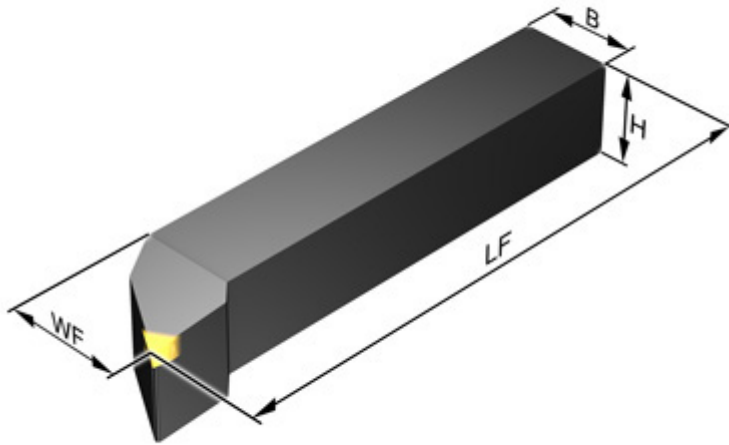


- Quick quotation
- Easy to order
- Competitive delivery

Even more possibilities thanks to tailored design!

If you do not find what you need in our comprehensive standard programme, choose the tool shape you require and we will tailor it for you to *your* dimensions.

CoroTurn® 300 external shank toolholder



Functional LF*)

	CZC	LF *)
Metric:	2020	108 - 159.9
	2525	108 - 160.5
	3225	108 - 180.5
	3232	108 - 180.5
Inch:	12	4.252 - 6.295
	16	4.252 - 6.318
	20	4.252 - 7.106

Options

Note! For specific details regarding the options, contact your Sandvik Coromant sales representative.

Unit of Measurement	Metric or Inch
Connection type	Square shank
Connection size CZC	Metric: 2020, 2525, 3225, 3232 Inch: 12 (3/4"), 16 (1"), 20 (1 1/4")
Insert	3-80-10
Position of cutting edge	Right or Left
Main feed direction	Both, Side, End
Entering angle KAPR	90° - 95°
Lead angle PSIR	-5° - 0°

Internal coolant	Both, Lower, Upper, None
Functional length LF	Depending on size ¹⁾
Customer denomination	Max 18 digits



CoroTurn® 300 external shank toolholder

Inquiry/ordering No.

Customer	Customer No. (Coromant internal)	Date
Street	Telephone	Customer attention
Post Code/City/State		Issuer
Quantity		

Your value/
Your choice

State only your options deviating from the above standard

Unit of Measurement	Metric or Inch	<input type="text"/>
Connection type	Square shank	<input type="text"/>
Connection size CZC	Metric: 2020, 2525, 3225, 3232 Inch: 12 (3/4") , 16 (1") ,20 (1 1/4")	<input type="text"/>
Insert	3-80-10	<input type="text" value="3-80-10"/>
Position of cutting edge	Right or Left	<input type="text"/>
Main feed direction	Both, Side, End	<input type="text"/>
Entering angle KAPR	90° - 95°	<input type="text"/>
Lead angle PSIR	-5° - 0°	<input type="text"/>
Internal coolant	Both, Lower, Upper, None	<input type="text"/>
Functional length LF	Depending on size¹⁾ See diagram on previous page	<input type="text"/>
Customer denomination	Max 18 digits	<input type="text"/>

Form No. C-1250:025-ENG
Family code = T560
CoroPak 16.1 16.03.01 Revised 16.10.01



The value/choice must be given

If no value/choice is specified, it will be recommended by the system

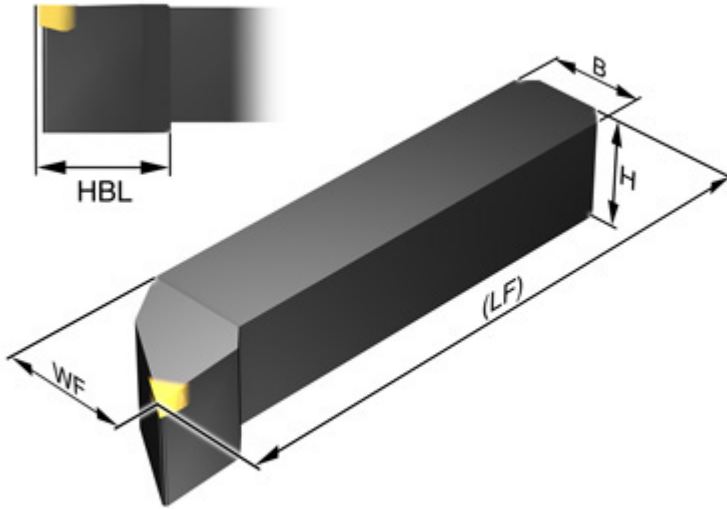
Tailor Made

- Quick quotation
- Easy to order
- Competitive delivery

Even more possibilities thanks to tailored design!

If you do not find what you need in our comprehensive standard programme, choose the tool shape you require and we will tailor it for you to *your* dimensions.

CoroTurn® 300 external QS-shank toolholder 2020 and 2025



Tool length HBL *)

	CZC	HBL
Metric:	2020	34 - 49
	2525	31 - 46
Inch:	12	1.375 - 1.966
	16	1.250 - 1.841

Options

Note! For specific details regarding the options, contact your Sandvik Coromant sales representative.

Unit of Measurement	Metric or Inch
Connection type	QS shank
Connection size CZC	Metric: 2020, 2525 Inch: 12 (3/4"), 16 (1")
Insert	3-80-10
Position of cutting edge	Right, Left
Main feed direction	Both, Side, End
Entering angle KAPR	90° to 95°
Lead angle PSIR	-5° to 0°

Internal coolant	Both, Lower, Upper, None
Tool length HBL	Depending on size ¹⁾
Customer denomination	Max 18 digits





CoroTurn® 300 external QS-shank toolholder 2020 and 2025

Inquiry/ordering No.

Customer	Customer No. (Coromant internal)	Date
Street	Telephone	Customer attention
Post Code/City/State		Issuer
Quantity		

Your value/
Your choice

State only your options deviating from the above standard

Unit of Measurement	Metric or Inch	<input type="text"/>
Connection type	QS shanks	<input type="text" value="QS shanks"/>
Connection size CZC	Metric: 2020, 2525 Inch: 12 (3/4"), 16 (1")	<input type="text"/>
Insert	3-80-10	<input type="text" value="3-80-10"/>
Position of cutting edge	Right, Left	<input type="text"/>
Main feed direction	Both, Side, End	<input type="text"/>
Entering angle KAPR	90° to 95°	<input type="text"/>
Lead angle PSIR	-5° to 0°	<input type="text"/>
Internal coolant	Both, Lower, Upper, None	<input type="text"/>
Tool length HBL	Depending on size⁹⁾ See diagram on previous page	<input type="text"/>
Customer denomination	Max 18 digits	<input type="text"/>

Form No. C-1250:025-ENG
Family code = T560
CoroPak 16.1 16.03.01 Revised 16.10.01



The value/choice must be given

If no value/choice is specified, it will be recommended by the system