

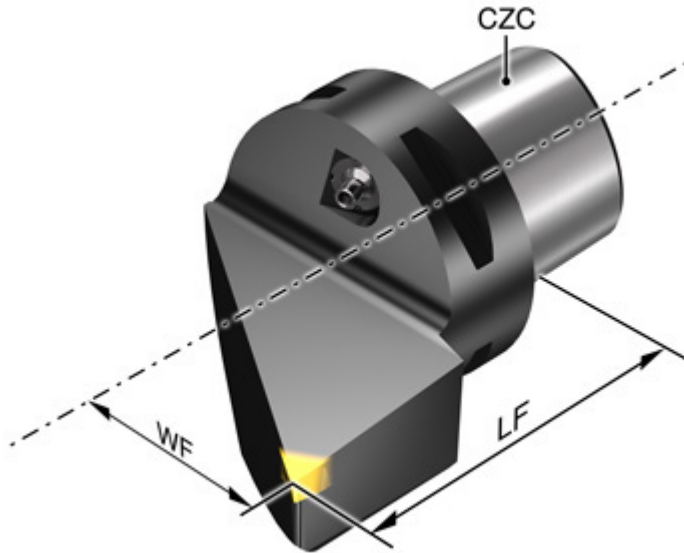
Tailor Made

- Quick quotation
- Easy to order
- Competitive delivery

Even more possibilities thanks to tailored design!

If you do not find what you need in our comprehensive standard programme, choose the tool shape you require and we will tailor it for you to *your* dimensions.

**CoroTurn® TR external
Coromant Capto® toolholders**



Functional width WF and length LF

CZC	WF ¹⁾	LF ¹⁾
C3	17 - 39.9 (0.669 - 1.571)	45.5 - 70 (1.791 - 2.756)
C4	21 - 45.2 (0.827 - 1.780)	49.9 - 85 (1.965 - 3.346)
C5	26 - 50.5 (1.024 - 1.988)	52.1 - 90.0 (2.051 - 3.543)
C6	32.5 - 60.9 (1.280 - 2.398)	54.7 - 95.0 (2.254 - 3.740)
C8	41.0 - 60.9 (1.614 - 2.398)	59.4 - 90.0 (2.339 - 3.543)

Options

Note! For specific details regarding the options, contact your Sandvik Coromant sales representative.

Unit system	Metric or Inch
Coupling type	Coromant Capto
Connection size CZC	C3, C4, C5, C6, C8
Tool insert type	D13 (55°), V13 (35°)
Tool in hand	R/L/N
Entering angle	D13, KAPR= 90° – 122°, (62.5° N) D13, PSIR= 0° – 32°, (27.5° N) V13, KAPR= 90° – 127,5°, (72.5° N) V13, PSIR= 0° – 37.5° (17,5° N)

Internal coolant	Non/adjustable nozzle
Functional width WF	Depending on size ¹⁾
Functional length LF	Depending on size ¹⁾
Customer denomination	Max 18 digits
Data chip	



**CoroTurn® TR external
Coromant Capto® toolholders**

Inquiry/ordering No.

Customer	Customer No. (Coromant internal)	Date
Street	Telephone	Customer attention
Post Code/City/State	Telefax	Issuer
Quantity	Customer denomination	

State nearest standard catalogue code, see main catalogue or supplement catalogue

TR	-	C																	Metric std	Your value/ Your choice
----	---	---	--	--	--	--	--	--	--	--	--	--	--	--	--	--	--	--	------------	----------------------------

State only your options deviating from the above standard

Unit system	Metric or Inch	<input type="text"/>
Coupling type	Coromant Capto	<input type="text"/>
Coupling size	C3, C4, C5, C6, C8	<input type="text"/>
Tool insert type	D13 (55°), V13 (35°)	<input type="text"/>
Tool in hand	R/L/N	<input type="text"/>
Entering angle	D13, KAPR= 90° – 122°, (62.5° N)	<input type="text"/>
	D13, PSIR= 0° – 32°, (27.5° N)	<input type="text"/>
	V13, KAPR= 90° – 127,5°, (72.5° N)	<input type="text"/>
	V13, PSIR= 0° – 37.5° (17,5° N)	<input type="text"/>
Internal coolant	Non/adjustable nozzle	<input type="text"/>
Functional width WF	Depending on size ¹⁾ See diagram on previous page	<input type="text"/>
Functional length LF	Depending on size ¹⁾ See diagram on previous page	<input type="text"/>
Customer denomination	Max 18 digits	<input type="text"/>
Data chip		<input type="text"/>
		<input type="text"/>

Form No. C -1050-204-ENG
Family code = T548
CoroPak 15.2



The value/choice must be given
If no value/choice is specified, it will be recommended by the system

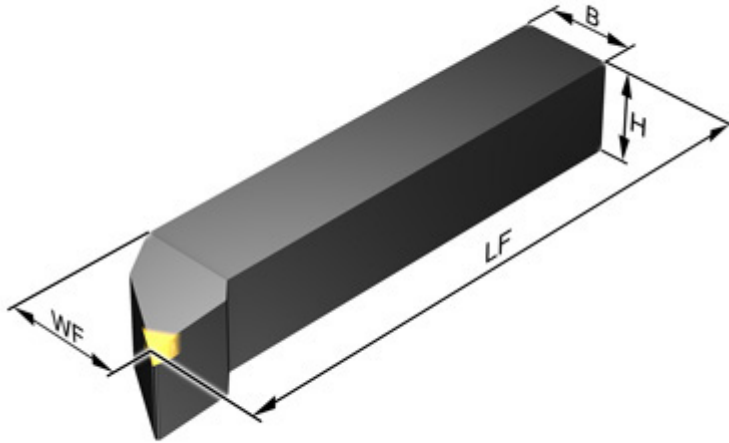


- Quick quotation
- Easy to order
- Competitive delivery

Even more possibilities thanks to tailored design!

If you do not find what you need in our comprehensive standard programme, choose the tool shape you require and we will tailor it for you to *your* dimensions.

CoroTurn® TR external shank toolholder



Functional width WF and length LF

H+B	WF ¹⁾	LF ¹⁾
1616	16 - 20 (0.630 - 0.787)	108 - 158.7 (4.252 - 6.248)
2020	20 - 25 (0.787 - 0.984)	108 - 165.9 (4.252 - 6.531)
2525	25 - 32 (0.984 - 1.260)	116 - 175.9 (4.567 - 6.925)
3225	25 - 32 (0.984 - 1.260)	116 - 192.0 (4.567 - 7.559)
3232	32 - 40 (1.260 - 1.575)	127.4 - 192.0 (5.016 - 7.559)

Options

Note! For specific details regarding the options, contact your Sandvik Coromant sales representative.

Unit system	Metric or Inch
Coupling type	Square shank
Connection size	1616, 2020, 2525, 3225, 3232
H+B	(10, 12, 16, 20-16, 20)
Tool insert type	D13 (55°), V13 (35°)
Tool in hand	R/L/N
Entering angle	D13, KAPR= 90° – 122°, (62.5° N) D13, PSIR= 0° – 32°, (27.5° N) V13, KAPR= 90° – 127,5°, (72.5° N) V13, PSIR= 0° – 37.5° (17,5° N)

Internal coolant	None/Up and under
Functional width WF	Depending on size ¹⁾
Functional length LF	Depending on size ¹⁾
Customer denomination	Max 18 digits



CoroTurn® TR external shank toolholder

Inquiry/ordering No.

Customer	Customer No. (Coromant internal)	Date
Street	Telephone	Customer attention
Post Code/City/State	Telefax	Issuer
Quantity	Customer denomination	

State nearest standard catalogue code, see main catalogue or supplement catalogue

TR	-																		
----	---	--	--	--	--	--	--	--	--	--	--	--	--	--	--	--	--	--	--

Metric std

Your value/
Your choice

State only your options deviating from the above standard

Unit system	Metric or Inch	<input type="text"/>
Coupling type	Square shank	<input type="text"/>
Connection size H+B	1616, 2020, 2525, 3225, 3232 (10, 12, 20-16, 20)	<input type="text"/>
Tool insert	D13 (55°), V13 (35°)	<input type="text"/>
Tool in hand	R/L/N	<input type="text"/>
Entering angle	D13, KAPR= 90° – 122°, (62.5° N)	<input type="text"/>
	D13, PSIR= 0° – 32°, (27.5° N)	<input type="text"/>
	V13, KAPR= 90° – 127,5°, (72.5° N)	<input type="text"/>
	V13 PSIR= 0° – 37.5° (17,5° N)	<input type="text"/>
Internal coolant	None/Up and under	<input type="text"/>
Functional width WF	Depending on size ^{*)} See diagram on previous page	<input type="text"/>
Functional length LF	Depending on size ^{*)} See diagram on previous page	<input type="text"/>
Customer denomination	Max 18 digits	<input type="text"/>



The value/choice must be given

If no value/choice is specified, it will be recommended by the system

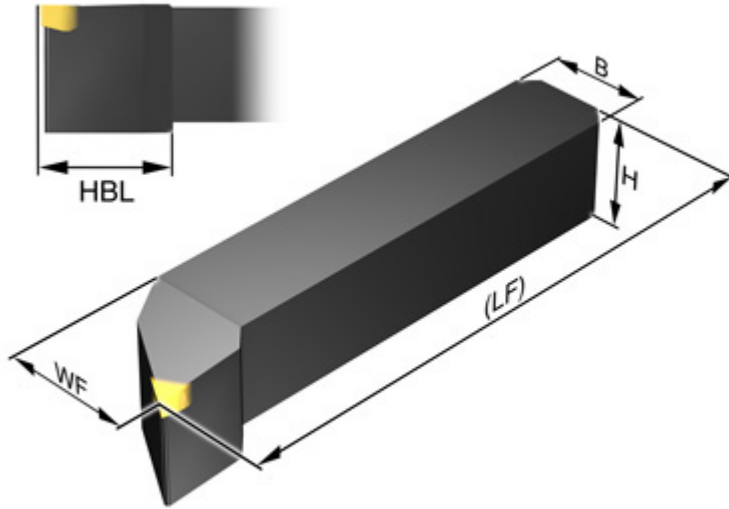


- Quick quotation
- Easy to order
- Competitive delivery

Even more possibilities thanks to tailored design!

If you do not find what you need in our comprehensive standard programme, choose the tool shape you require and we will tailor it for you to *your* dimensions.

CoroTurn® TR external QS-shank toolholder 2020 and 2025



Functional width WF and Tool length/overhang HBL

H+B	WF ¹⁾	HBL ¹⁾
2020	20 - 25 (0.787 - 0.984)	29 - 50 (1.142 - 1.969)
2525	25 - 32 (0.984 - 1.260)	29 - 70 (1.142 - 2.756)

Options

Note! For specific details regarding the options, contact your Sandvik Coromant sales representative.

Unit system	Metric or Inch
Coupling type	QS shank
Connection size	2020, 2525
H+B	(12, 16, 20)
Tool insert type	D13 (55°), V13 (35°)
Tool in hand	R/L/N
Entering angle	D13, KAPR= 90° – 122°, (62.5° N) D13, PSIR= 0° – 32°, (27.5° N) V13, KAPR= 90° – 127,5°, (72.5° N) V13, PSIR= 0° – 37.5° (17,5° N)

Internal coolant	None/Up and under
Functional width WF	Depending on size ¹⁾
Tool length/overhang HBL	Depending on size ¹⁾
Customer denomination	Max 18 digits



CoroTurn® TR external QS-shank toolholder 2020 and 2025

Inquiry/ordering No.

Customer	Customer No. (Coromant internal)	Date
Street	Telephone	Customer attention
Post Code/City/State	Telefax	Issuer
Quantity	Customer denomination	

State nearest standard catalogue code, see main catalogue or supplement catalogue

QS	-																		
----	---	--	--	--	--	--	--	--	--	--	--	--	--	--	--	--	--	--	--

Metric std

Your value/
Your choice

State only your options deviating from the above standard

Unit system	Metric or Inch	<input type="text"/>
Coupling type	QS shanks	<input type="text"/>
Connection size H+B	2020, 2525 (10, 16, 20)	<input type="text"/>
Tool insert	D13 (55°), V13 (35°)	<input type="text"/>
Tool in hand	R/L/N	<input type="text"/>
Entering angle	D13, KAPR= 90° – 122°, (62.5° N)	<input type="text"/>
	D13, PSIR= 0° – 32°, (27.5° N)	<input type="text"/>
	V13, KAPR= 90° – 127,5°, (72.5° N)	<input type="text"/>
	V13 PSIR= 0° – 37.5° (17,5° N)	<input type="text"/>
Internal coolant	None/Up and under	<input type="text"/>
Functional width WF	Depending on size ^{*)} See diagram on previous page	<input type="text"/>
Tool length/ overhang HBL	Depending on size ^{*)} See diagram on previous page	<input type="text"/>
Customer denomination	Max 18 digits	<input type="text"/>



The value/choice must be given

If no value/choice is specified, it will be recommended by the system

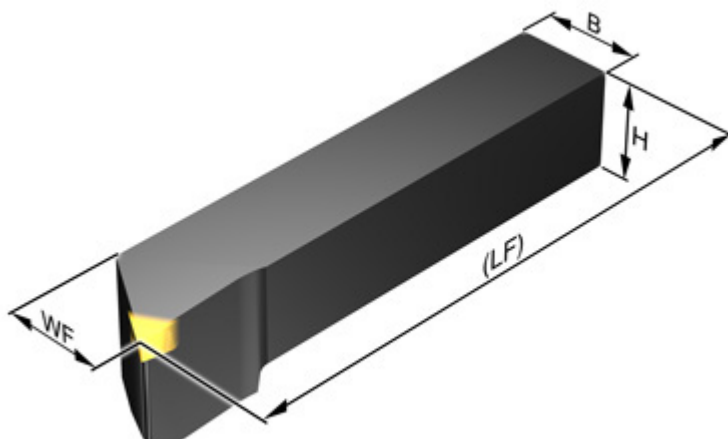


- Quick quotation
- Easy to order
- Competitive delivery

Even more possibilities thanks to tailored design!

If you do not find what you need in our comprehensive standard programme, choose the tool shape you require and we will tailor it for you to *your* dimensions.

CoroTurn® TR external shank toolholder for sliding head machines



Options

Note! For specific details regarding the options, contact your Sandvik Coromant sales representative.

Unit system	Metric or Inch
Coupling type	Swiss-shank
Connection size	1616 (10)
Tool insert type	D13 (55°), V13 (35°)
Tool in hand	R/L/N
Entering angle	D13, KAPR= 90° – 96°, (62.5° N) D13, PSIR= 0° – 6°, (27.5° N) V13, KAPR= 90° – 103°, (72.5° N) V13, PSIR= 0° – 13° (17,5° N)

Internal coolant	None
Customer denomination	Max 18 digits



CoroTurn® TR external shank toolholder for sliding head machines

Inquiry/ordering No.

Customer	Customer No. (Coromant internal)	Date
Street	Telephone	Customer attention
Post Code/City/State	Telefax	Issuer
Quantity	Customer denomination	

State nearest standard catalogue code, see main catalogue or supplement catalogue

TR - - S

Metric std

Your value/
Your choice

State only your options deviating from the above standard

Unit system	Metric or Inch	<input type="text"/>
Coupling type	Swiss-shank	<input type="text"/>
Connection size	1616 (10)	<input type="text"/>
Tool insert	D13 (55°), V13 (35°)	<input type="text"/>
Tool in hand	R/L/N	<input type="text"/>
Entering angle	D13, KAPR= 90° – 96°, (62.5° N)	<input type="text"/>
	D13, PSIR= 0° – 6°, (27.5° N)	<input type="text"/>
	V13, KAPR= 90° – 103°, (72.5° N)	<input type="text"/>
	V13 PSIR= 0° – 13° (17.5° N)	<input type="text"/>
Internal coolant	None	<input type="text"/>
Customer denomination	Max 18 digits	<input type="text"/>



The value/choice must be given
If no value/choice is specified, it will be recommended by the system